

ARTS & AESTHETICS COMMITTEE

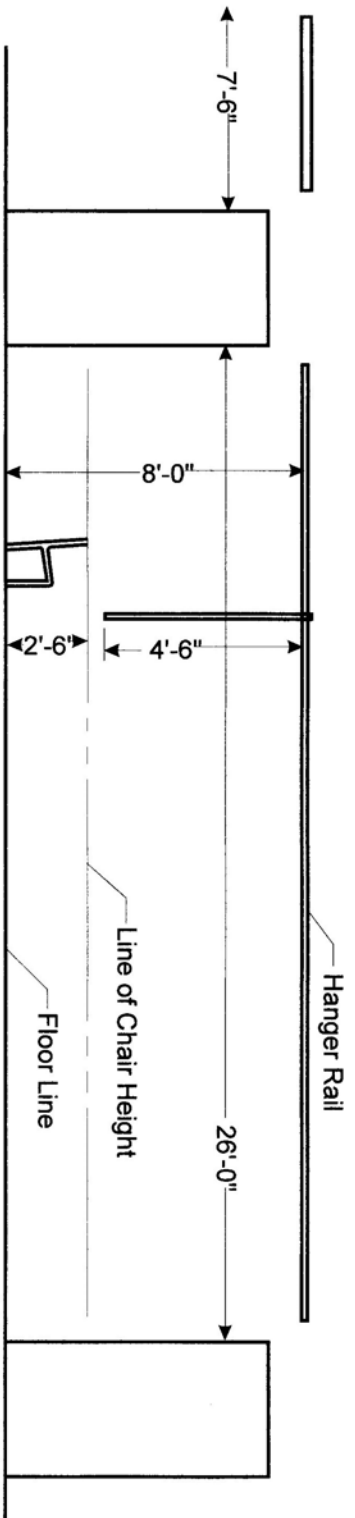
Guidelines for Artists

First Unitarian Church welcomes the opportunity to display your artwork to its congregation and visitors. This exhibition space promotes art and artists and, at the same time, serves as a fundraising venue for the church. First Unitarian takes 30 percent commission for any sales that result from the exhibition and mercado, even if made after the exhibition closes. We thank you for your cooperation.

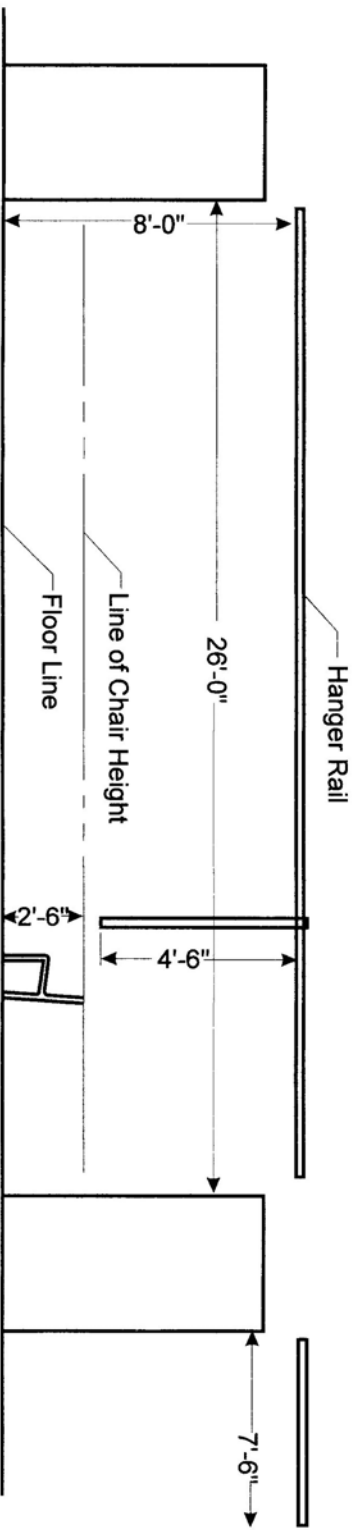
From previous experience we have found that the following should increase the success of your exhibit:

- The Arts & Aesthetics Committee will send publicity to the media in advance of the exhibition opening. To do that, we need your short biographical and artistic information by the time requested.
- We will be happy to add a link to your Web site or to display art on our church Web site. Please include it with the above information.
- Small pieces may be displayed in our showcase, provided you tell the sponsor in advance.
- A demonstration of your medium at the reception would be welcome.
- You may set up a mini mercado to sell your unframed works and other pieces that are not included in the exhibition. This is available at the time of the reception only.
- We would like to introduce you at our church service(s). Please let us know whether you will attend a 9:30 or 11:00 a.m. service any time during your exhibit.
- The space plan included should help you decide how many of your items may be displayed. Please try to view the sanctuary in person before the installation.

ART EXHIBIT SPACE AT FIRST UNITARIAN



FIRST UNITARIAN EXHIBIT SPACE--NORTH WALL



FIRST UNITARIAN EXHIBIT SPACE--SOUTH WALL